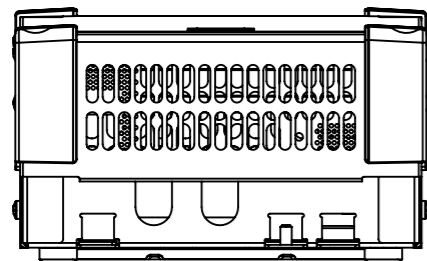
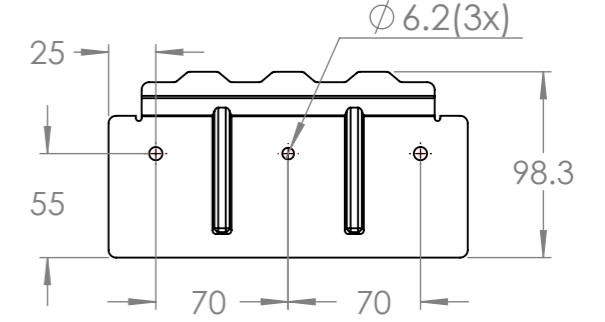
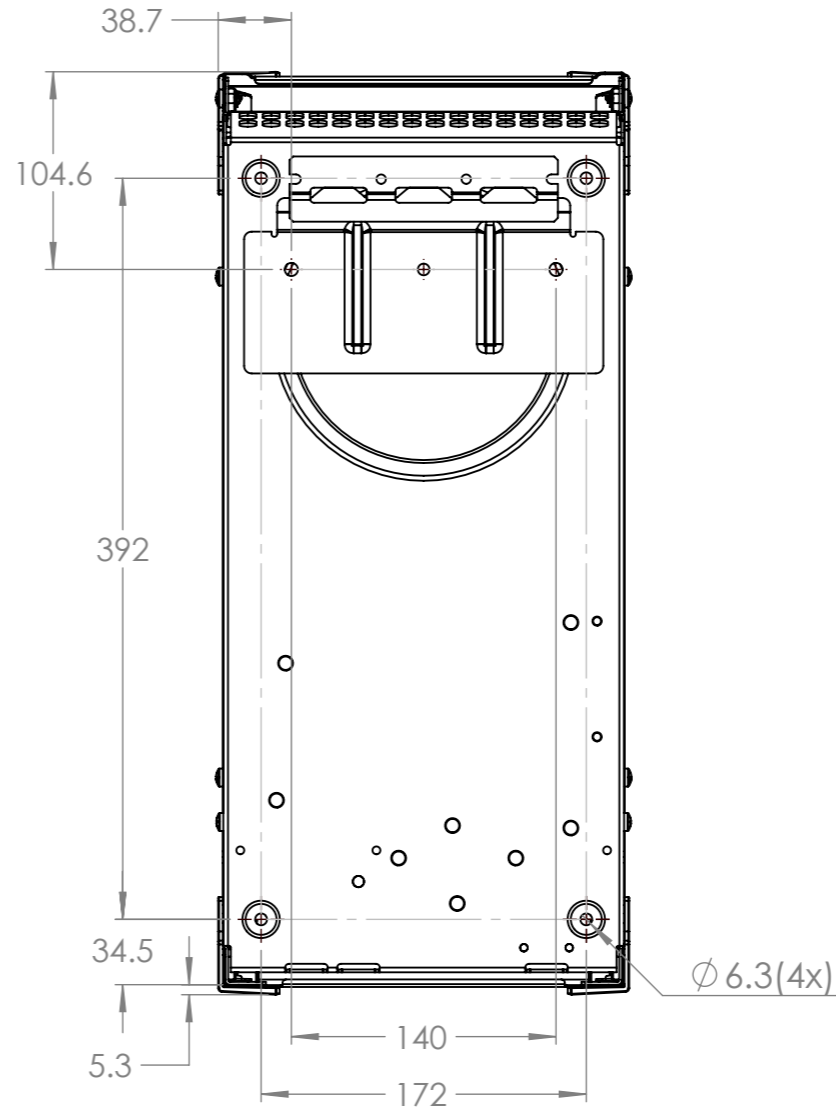
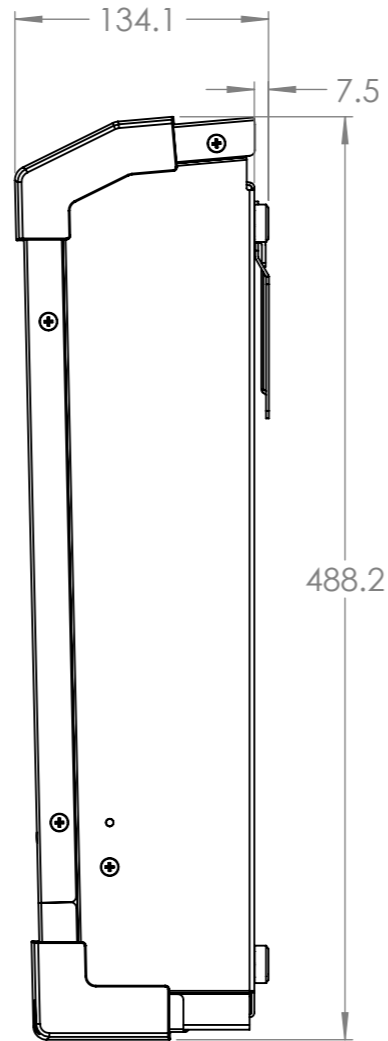
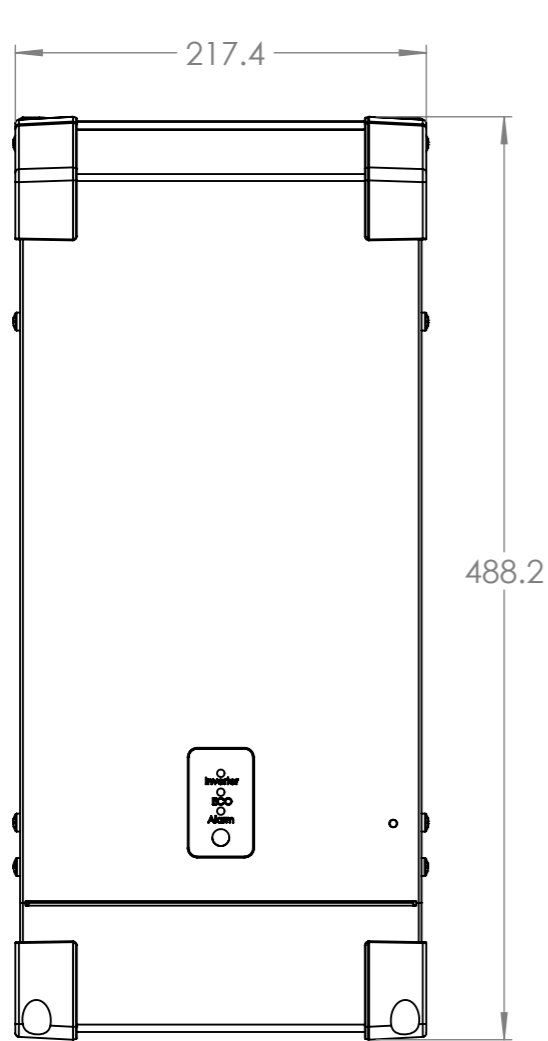


Dimension Drawing - Inverter implementation from serialnumber HQ24xx onwards	
PIN122161000	Inverter 12/1600 230V Smart
PIN242161000	Inverter 24/1600 230V Smart
PIN482161000	Inverter 48/1600 230V Smart
PIN122201000	Inverter 12/2000 230V Smart
PIN242201000	Inverter 24/2000 230V Smart
PIN482201000	Inverter 48/2000 230V Smart



Dimensions in mm



victron energy
BLUE POWER